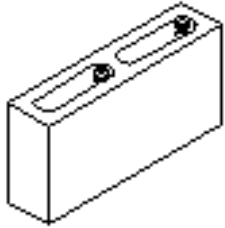
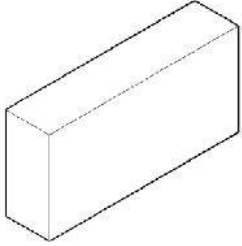
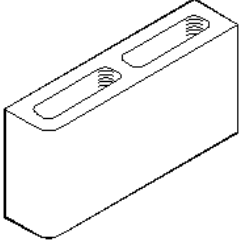
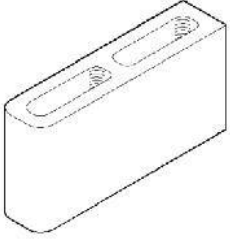
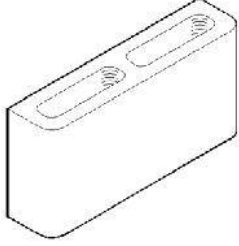


# Zappala Block Company

## 4" Concrete Masonry Units

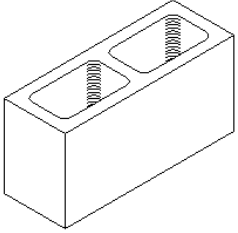
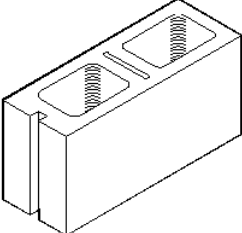
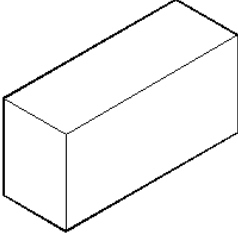
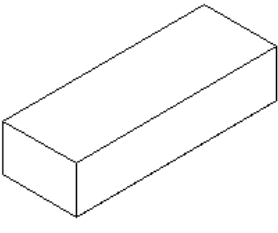
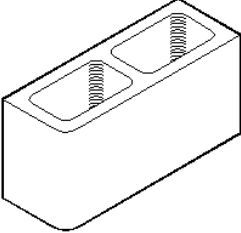
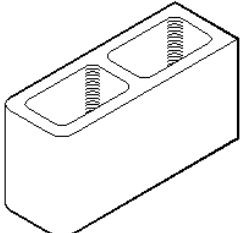
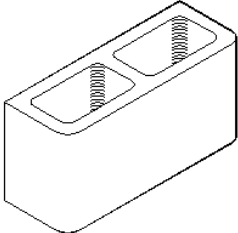
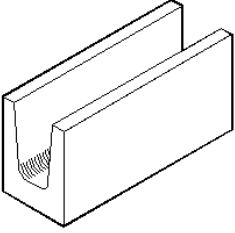
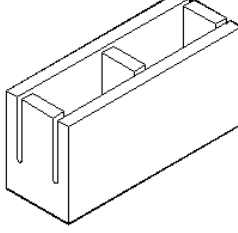
Available in Normal Weight and Lightweight Units

 <p><b>Core Partition</b> 4" x 8" x 16"</p>	 <p><b>Solid</b> 4" x 8" x 16"</p>		
 <p><b>Single Bullnose 1 End</b> 4" x 8" x 16"</p>	 <p><b>Double Bullnose 1 End</b> 4" x 8" x 16"</p>	 <p><b>Double Bullnose 1 Face</b> 4" x 8" x 16"</p>	

# Zappala Block Company

6" Concrete Masonry Units

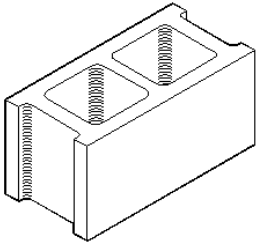
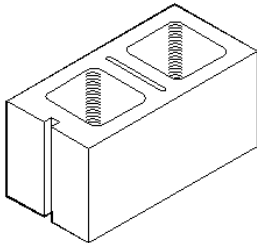
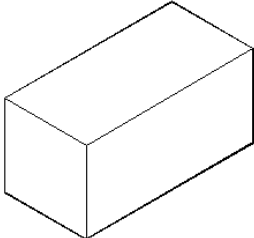
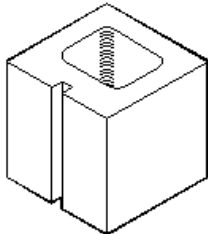
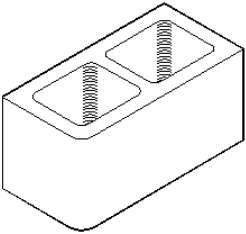
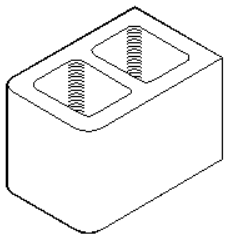
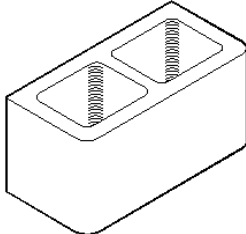
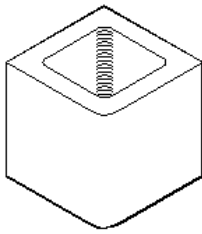
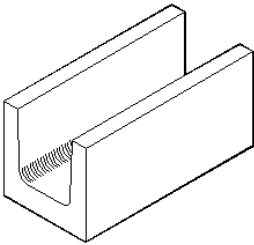
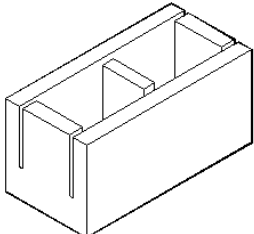
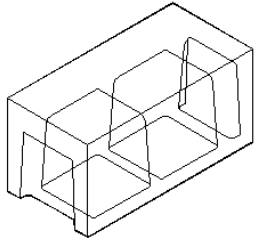
Available in Normal Weight and Lightweight Units

 <p><b>2 Core</b> <b>6" x 8" x 16"</b></p>	 <p><b>Sash/Breaker</b> <b>6" x 8" x 16"</b></p>	 <p><b>Solid</b> <b>6" x 8" x 18"</b></p>	 <p><b>Solid</b> <b>6" X 4" X 16"</b></p>
 <p><b>Single Bullnose 1 End</b> <b>6" x 8" x 16"</b></p>	 <p><b>Double Bullnose 1 End</b> <b>6" x 8" x 16"</b></p>	 <p><b>Double Bullnose 1 Face</b> <b>6" x 8" x 16"</b></p>	
<p><b>75% Solid</b> <b>6" x 8" x 18"</b></p>	 <p><b>Solid Bottom Bond Beam</b> <b>6" x 8" x 16"</b></p>	 <p><b>Knock Out Bond Beam</b> <b>6" x 8" x 16"</b></p>	

# Zappala Block Company

8" Concrete Masonry Units

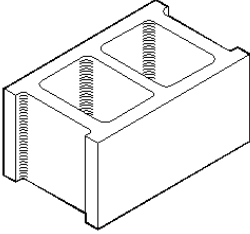
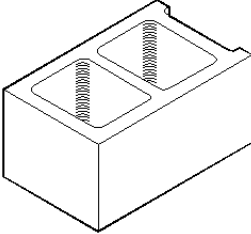
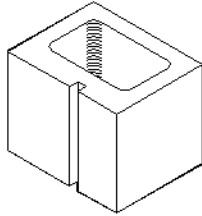
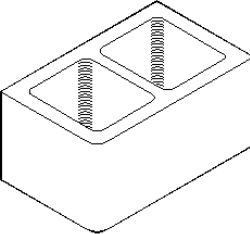
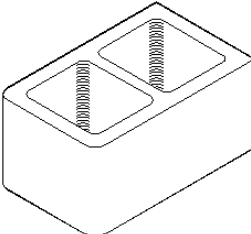
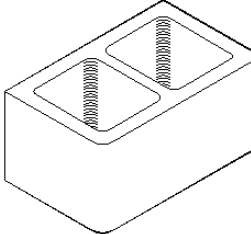
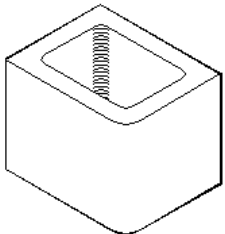
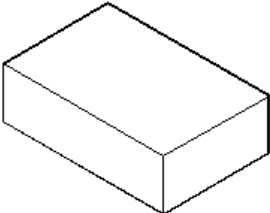
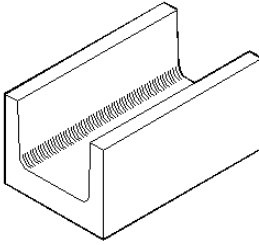
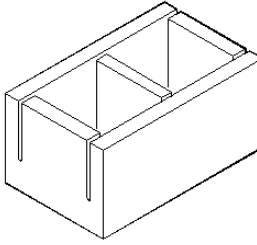
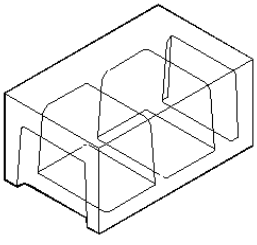
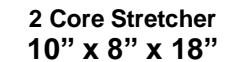
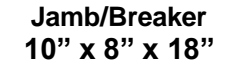
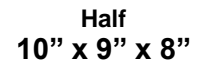
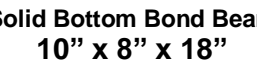
Available in Normal Weight and Lightweight Units

 <p><b>2 Core Stretcher</b> 8" x 8" x 16"</p>	 <p><b>Sash/Breaker</b> 8" x 8" x 16"</p>	 <p><b>Solid</b> 8" x 8" x 16"</p>	 <p><b>Half</b> 8" x 8" x 8"</p>
 <p><b>Single Bullnose 1 End</b> 8" x 8" x 16"</p>	 <p><b>Double Bullnose 1 End</b> 8" x 8" x 16"</p>	 <p><b>Double Bullnose 1 Face</b> 8" x 8" x 16"</p>	 <p><b>Single Bullnose Half</b> 8" x 8" x 8"</p>
	 <p><b>Solid Bottom Bond Beam</b> 8" x 8" x 16"</p>	 <p><b>Knock Out Bond Beam</b> 8" x 8" x 16"</p>	
<p><b>2 Core Stretcher</b> 8" x 8" x <u>18"</u></p>	<p><b>Half</b> 8" x 9" x 8"</p>	<p><b>75% Solid</b> 8" x 8" x <u>18"</u></p>	 <p><b>3/4 Filled Lwt</b> 8" x 8" x <u>18"</u></p>

# Zappala Block Company

## 10" Concrete Masonry Units

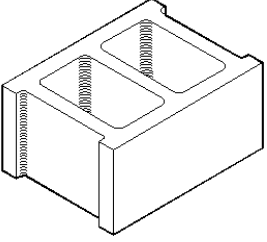
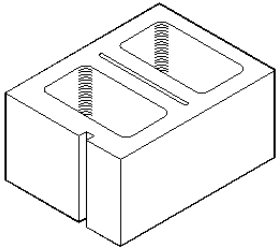
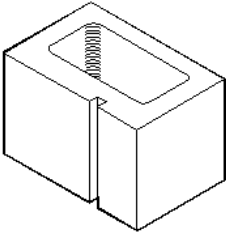
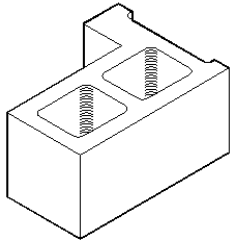
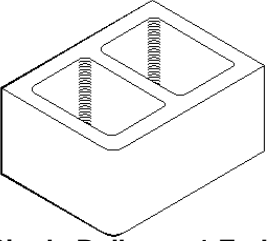
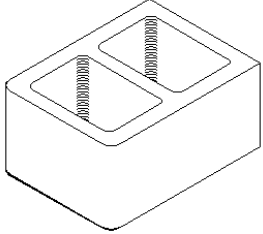
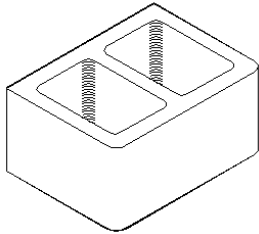
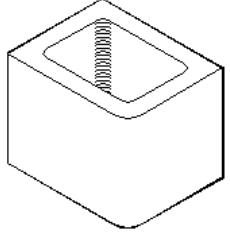
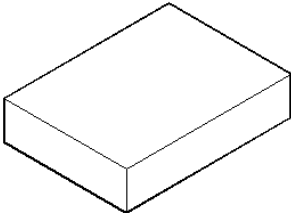
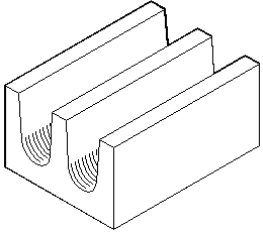
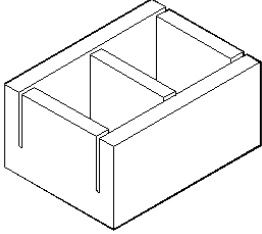





Available in Normal Weight and Lightweight Units

 <p><b>2 Core Stretcher</b> 10" x 8" x 16"</p>	 <p><b>Sash/Breaker</b> 10" x 8" x 16"</p>	 <p><b>Half</b> 10" x 8" x 8"</p>	
 <p><b>Single Bullnose 1 End</b> 10" x 8" x 16"</p>	 <p><b>Double Bullnose 1 End</b> 10" x 8" x 16"</p>	 <p><b>Double Bullnose 1 Face</b> 10" x 8" x 16"</p>	 <p><b>Single Bullnose Half</b> 10" x 8" x 8"</p>
 <p><b>Solid</b> 4" x 10" x 16"</p>	 <p><b>Solid Bottom Bond Beam</b> 10" x 8" x 16"</p>	 <p><b>Knock Out Bond Beam</b> 10" x 8" x 16"</p>	 <p><b>3/4 Filled Lwt</b> 10" x 8" x 18"</p>
 <p><b>2 Core Stretcher</b> 10" x 8" x 18"</p>	 <p><b>Jamb/Breaker</b> 10" x 8" x 18"</p>	 <p><b>Half</b> 10" x 9" x 8"</p>	 <p><b>Solid Bottom Bond Beam</b> 10" x 8" x 18"</p>

# Zappala Block Company

## 12" Concrete Masonry Units

Available in Normal Weight and Lightweight Units

 <p><b>2 Core Stretcher</b> 12" x 8" x 16"</p>	 <p><b>Sash/Jamb Breaker</b> 12" x 8" x 16"</p>	 <p><b>Half</b> 12" x 8" x 8"</p>	 <p><b>EII Corner</b> 12" x 8" x 16"</p>
 <p><b>Single Bullnose 1 End</b> 12" x 8" x 16"</p>	 <p><b>Double Bullnose 1 End</b> 12" x 8" x 16"</p>	 <p><b>Double Bullnose 1 Face</b> 12" x 8" x 16"</p>	 <p><b>Single Bullnose Half</b> 12" x 8" x 8"</p>
 <p><b>Solid</b> 4" x 12" x 16"</p>	 <p><b>Solid Bottom Bond Beam</b> 12" x 8" x 16"</p>	 <p><b>Knock Out Bond Beam</b> 12" x 8" x 16"</p>	 <p><b>EII Corner</b> 12" x 8" x 18"</p>
 <p><b>2 Core Stretcher</b> 12" x 8" x 18"</p>	 <p><b>Jamb/Breaker</b> 12" x 8" x 18"</p>	 <p><b>Half</b> 12" x 9" x 8"</p>	 <p><b>Solid Bottom Bond Beam</b> 12" x 8" x 18"</p>