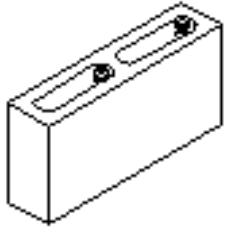
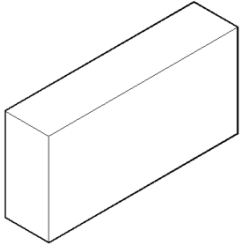
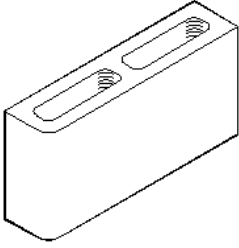
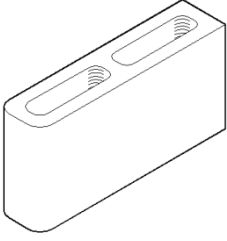
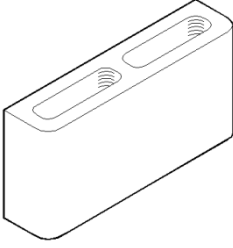


# Zappala Block Company

## 4" Concrete Masonry Units

Available in Normal Weight and Lightweight Units

 <p><b>Core Partition</b> 4" x 8" x 16"</p>	 <p><b>Solid</b> 4" x 8" x 16"</p>		
 <p><b>Single Bullnose 1 End</b> 4" x 8" x 16"</p>	 <p><b>Double Bullnose 1 End</b> 4" x 8" x 16"</p>	 <p><b>Double Bullnose 1 Face</b> 4" x 8" x 16"</p>	