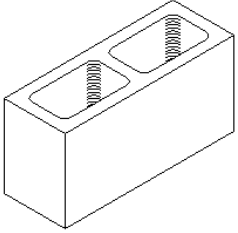
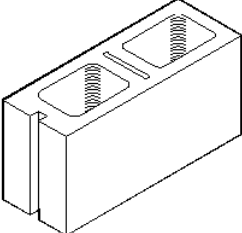
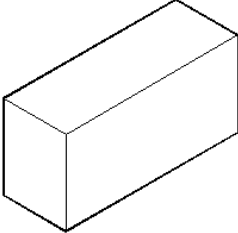
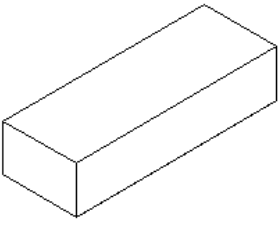
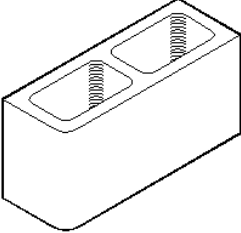
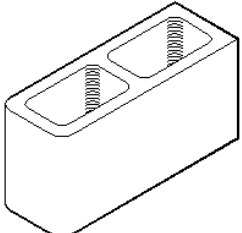
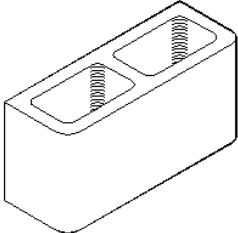
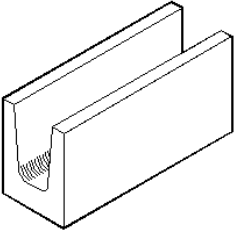
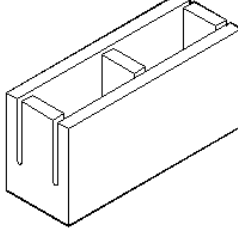


Zappala Block Company

6" Concrete Masonry Units

Available in Normal Weight and Lightweight Units

 <p>2 Core 6" x 8" x 16"</p>	 <p>Sash/Breaker 6" x 8" x 16"</p>	 <p>Solid 6" x 8" x 18"</p>	 <p>Solid 6" X 4" X 16"</p>
 <p>Single Bullnose 1 End 6" x 8" x 16"</p>	 <p>Double Bullnose 1 End 6" x 8" x 16"</p>	 <p>Double Bullnose 1 Face 6" x 8" x 16"</p>	
<p>75% Solid 6" x 8" x 18"</p>	 <p>Solid Bottom Bond Beam 6" x 8" x 16"</p>	 <p>Knock Out Bond Beam 6" x 8" x 16"</p>	